

# Caroma®

## Seats

CI/SfB	(74.1)	g3
Date	March 2015	

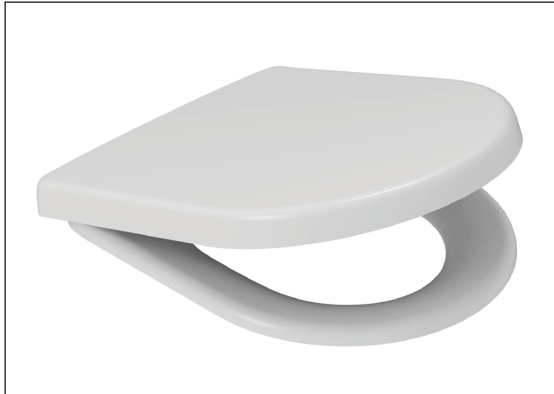
Supersedes all previous issues

# 5.01



PAN	SEAT																			LEGEND:							
	Arc Standard	Arc Soft Close	Avalon Commercial+	Avalon Commercial	Avalon Soft Close+	Caravelle Commercial	Caravelle+	Caravelle SC	Colani	Contura	Cube Soft Close	Deluxe	Junior	Liano	Metro	Opal II Soft Close	Pedigree II	Pressalit	Profile	Stirling	Standard	Trident	Trident Soft Close	Uniseat	Urbane Compact	Vintage	
Cameo																											
Caravelle			•	•	•	•	•	•				•						•	•	•			•	•	•		
Concorde			•	•	•	•	•	•				✓						•	•	•			✓	✓	•		
Contura			•	•					✓																		
Cube										✓																	
Flex																		✓									
Junior												✓															
Leda												•					✓	•	•	•			•	•	•		
Liano														✓													
Metro															✓												
Opal																				✓							
Opal II																✓											
Profile																					✓						
Retro																											
Trident																											
Urbane														•													
Urbane Compact																											
Vintage																											✓

+	Toggle/Bolt Pack for blind fixing	405144
*	Adaptor Kit to suit Leda type pans	301050
✓	Ideal	
•	Suitable	



### Arc

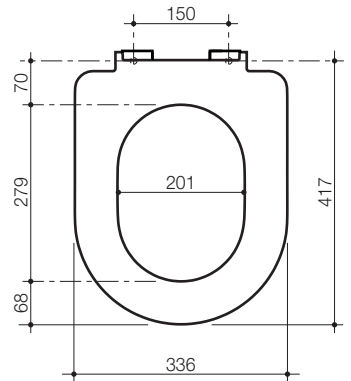
A modern design, double flap compression moulded seat. Fitted with buffers and metal hinges.

Seat with soft close hinge Code No.300042  
Seat with standard hinge Code No.300046

**Colours:** White only.



Seat section



### Avalon Commercial

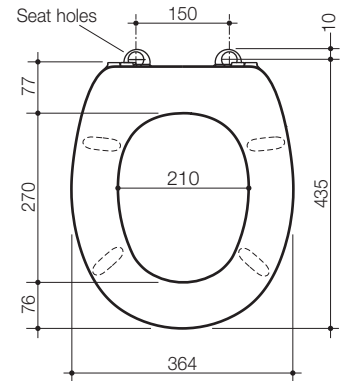
A medium weight compression moulded seat in double flap style. Buffers on seat and flap with fully adjustable stainless steel hinges.

Code No.320027

**Colours:** White only.



Seat section



### Avalon Soft Close

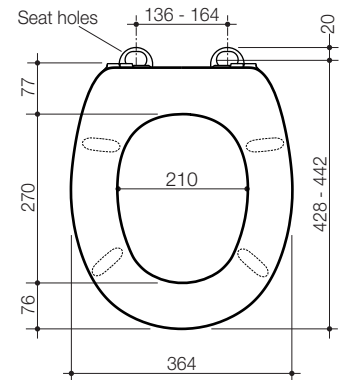
A medium weight compression moulded seat in double flap style. Buffers on seat and flap with fully adjustable stainless steel hinges.

Code No.320029

**Colours:** White only.



Seat section



### Caravelle

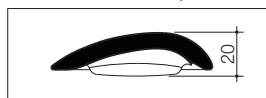
A medium weight seat of contemporary design. Thermoplastic thick section moulding with unique snap-on detachable seat for ease of cleaning and the ultimate in hygiene. Fully adjustable pan fittings.

Seat with soft close plastic hinge Code No.254003W

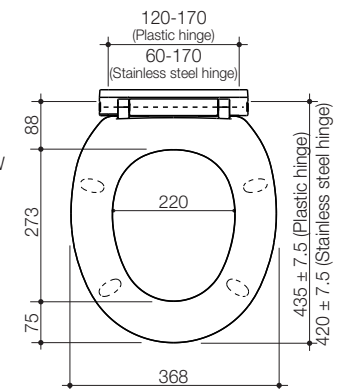
Seat with standard plastic hinge Code No.254002W / 254002I

Seat with soft close stainless steel hinge Code No.254001W

**Colours:** White or Ivory.



Seat section





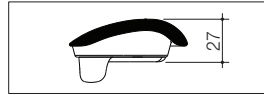
### Caravelle Care

♿ **Accessible Applications**

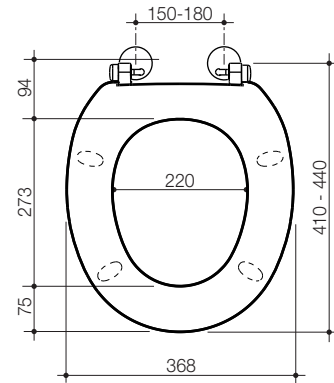
A specialised seat available in single or double flap versions designed for persons with ambulant disabilities. Featuring solid stainless steel hinges, rotatable buffers for extra stability during sideways transfers. Blind fixing standard.

Single flap version Code No.254007  
Double flap version Code No.254008

**Colours:** White, Anthracite Grey or Sorrento Blue.



Seat section

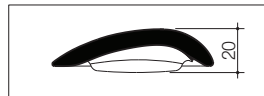


### Caravelle Commercial

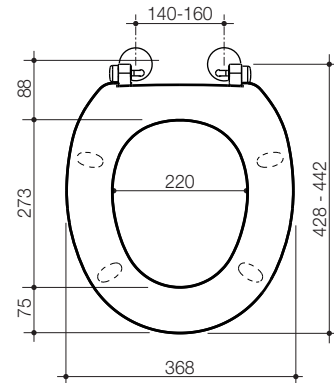
A medium weight seat with robust metal hinges and fully adjustable blind fixing. Available as standard close with stainless steel hinges.

Double flap version Code No.254006W  
Single flap version Code No.254017B

**Colours:** White or Black.



Seat section



### Colani

♿ **Accessible Applications**

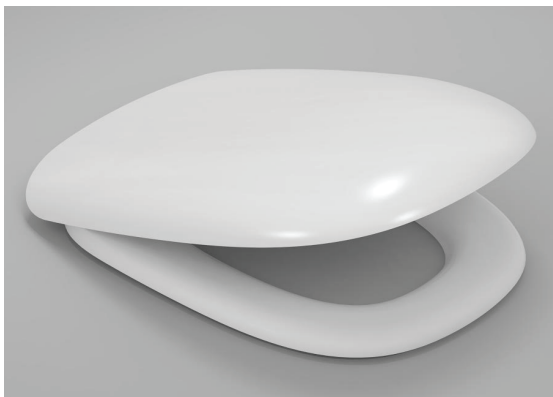
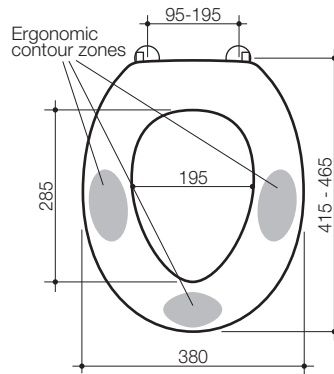
A specialised single flap seat designed for persons with ambulant disabilities. Features die cast metal hinges and heavy duty solid axle hinge, plus rotatable buffers for extra stability during sideways transport. Blind fixing standard.

Single flap version Code No.813010.  
Double flap version Code No.813100.

**Colours:** White, Anthracite Grey or Sorrento Blue



Seat section

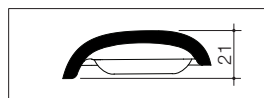


### Contura

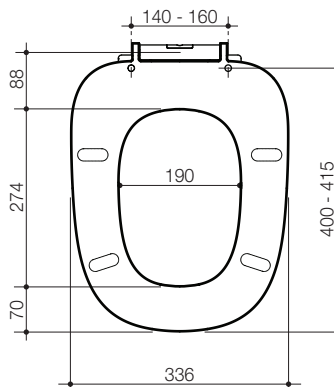
A quality solid section compression moulded toilet seat, fitted with buffers and metal hinges. Suitable for the Contura pan only.

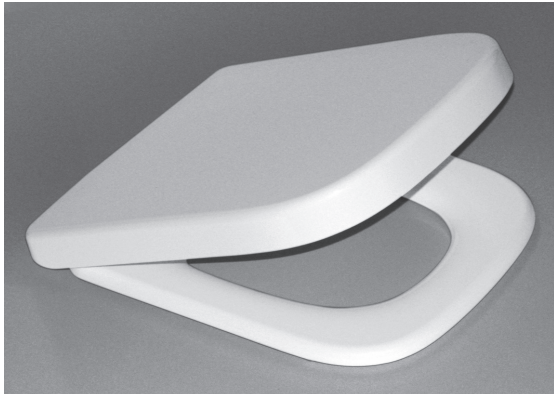
Code No.300045

**Colours:** White only.



Seat section





## Cube

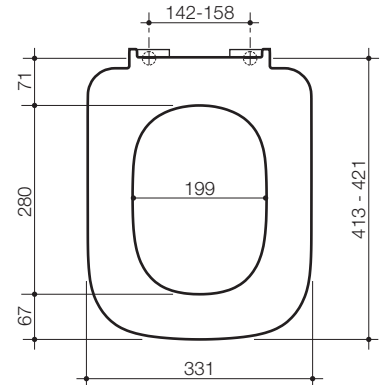
A quality solid-section compression moulded soft close seat. Fitted with buffers and metal hinges. Suitable for the Cube pan only.

Code No.300024

**Colours:** White only.



Seat section



## Deluxe

A modern light weight double flap seat, thermo plastic moulded with fully adjustable pan fittings.

Code No.301101

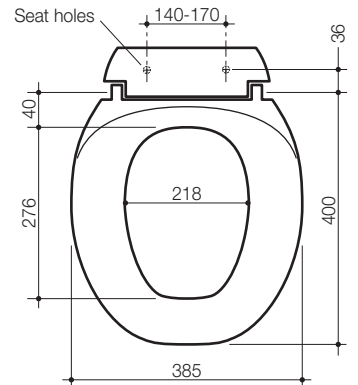
Adaptor kit to suite Leda type pans

Code No.301050.

**Colours:** White or Ivory.



Seat section



## Junior

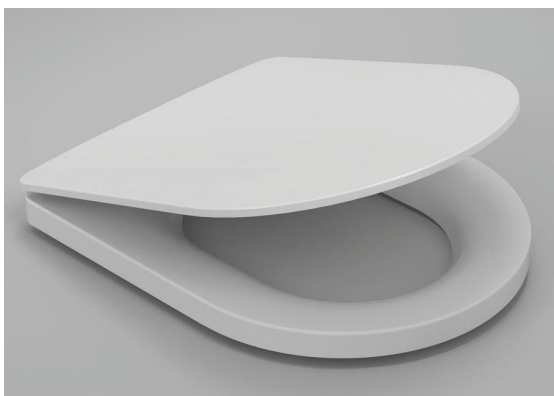
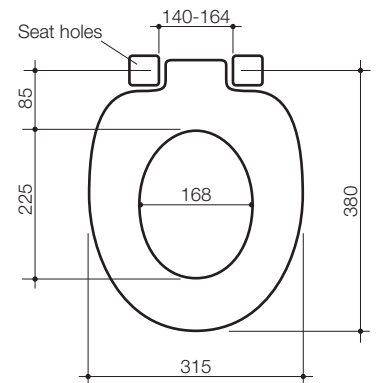
A single flap solid section injection moulded seat to suit the Junior pan only.

Code No.301030

**Colours:** White or Black.



Seat section

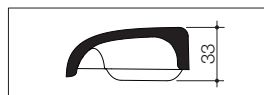


## Liano

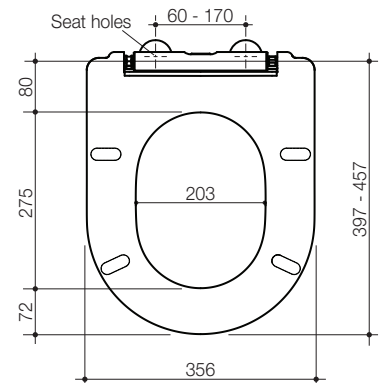
A double flap soft close seat with contemporary style and sharp symmetrical lines. Quick release hinges for easy removal and thorough clean. Made from quality solid-section compression moulded Urea Formaldehyde (a hard and dense material).

Code No.300040

**Colours:** White only.



Seat section





## Metro - Wall Faced Pans

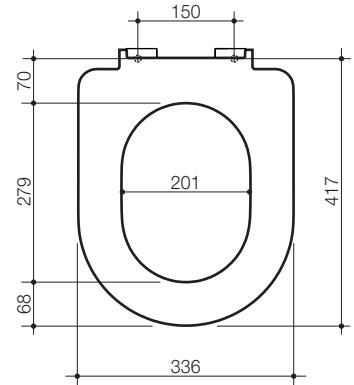
A quality solid-section compression moulded Urea Formaldehyde seat (which is a hard and dense material).

Seat with soft close hinge Code No.300028  
Seat with standard hinge Code No.300029  
Single flap version Code No.300041

**Colours:** White only.



Seat section



## Metro - Wall Hung Pans

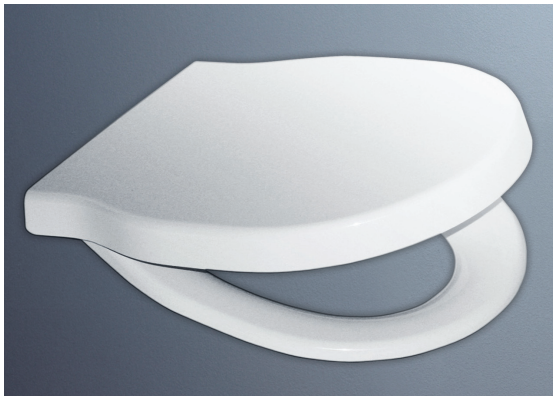
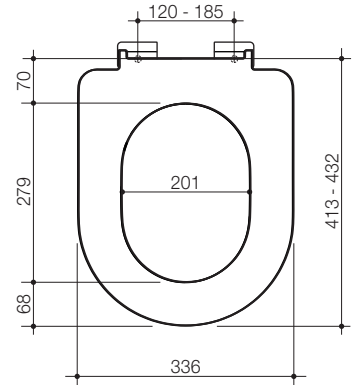
A quality solid-section compression moulded Urea Formaldehyde seat (which is a hard and dense material).

Seat with soft close hinge Code No.813007  
Single flap version Code No.300041

**Colours:** White only.



Seat section



## Opal II

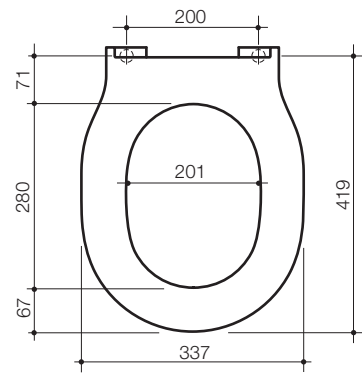
A quality solid-section compression moulded soft close seat. Fitted with buffers and metal hinges. Suits Opal II pan only.

Double flap with soft close hinge Code No.300030  
Single flap with soft close hinge Code No.300038

**Colours:** White only.



Seat section

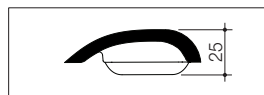


## Pedigree II

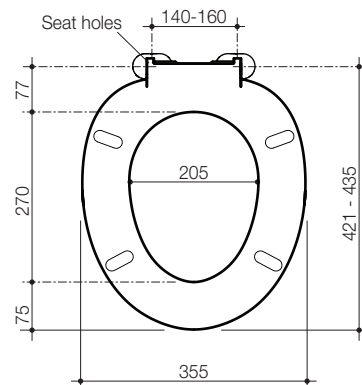
A premium, heavy weight compression moulded seat in double flap style with flat underside. Buffers on seat and flap reduce noise on impact. Standard hinge with matte chrome fully adjustable fittings. Blind fixing standard.

Seat with soft close hinge Code No.320040  
Seat with standard hinge Code No.320020

**Colours:** White only.



Seat section



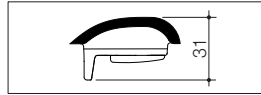


## Pedigree II Care ♿ Accessible Applications

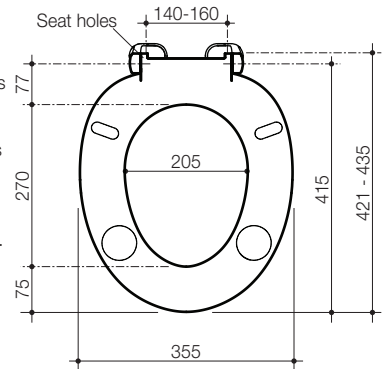
A specialised single flap seat designed for persons with ambulant disabilities. Features die cast metal hinges and heavy duty solid axle hinge, plus rotatable buffers for extra stability during sideways transport. Blind fixing standard.

Code No.320030.

**Colours:** White, Anthracite Grey or Sorrento Blue.



Seat section



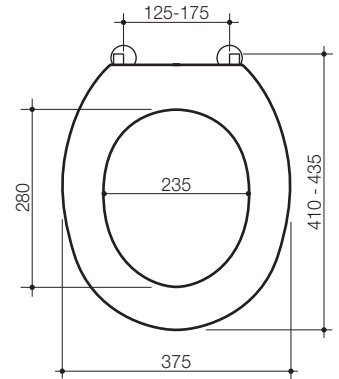
## Pressalit 2000

A seat for general purpose applications with smooth contours for user comfort and ease of cleaning.

Seat with standard hinge Code No.816000

Seat with blind fixing hinge Code No.816100

**Colours:** White only.



## Profile

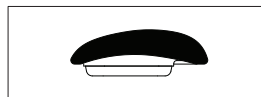
Suitable for the Cameo, Caravelle, Concorde, Leda, Opal, Trident and Vintage pans. Ideal for the Profile and Retro pans.

Seat with standard hinge Code No.300015

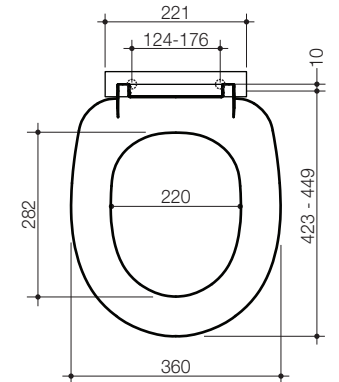
Seat with soft close plastic connector hinge Code No.300016

Seat with soft close chrome hinge Code No.300017

**Colours:** White only.



Seat section



## Standard

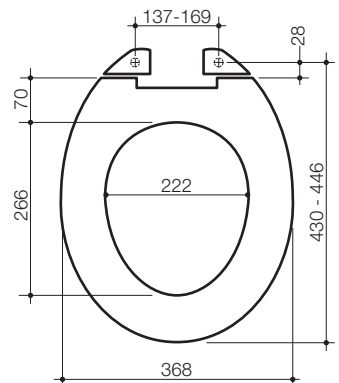
A light weight, thermoplastic moulded double flap economy seat with adjustable pan fittings.

Code No.301106

**Colours:** White or Black.



Seat section



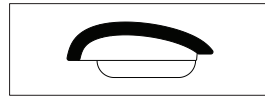


## Stirling

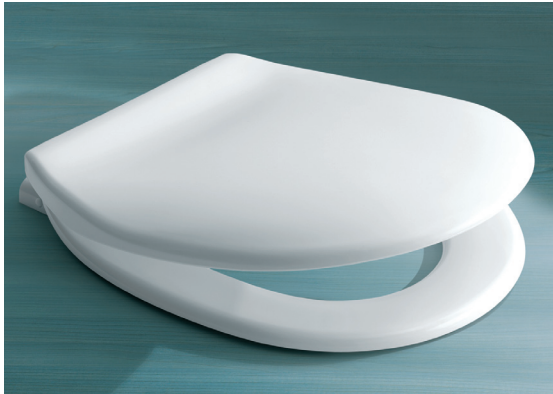
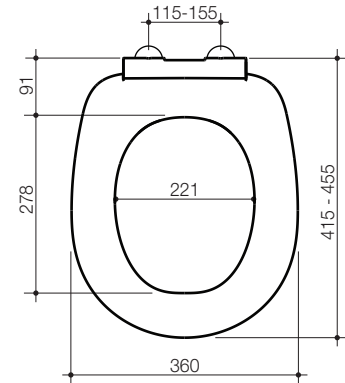
A modern seat with all the trimmings, complete with a soft close snap-on detachable hinge for ease of cleaning and the ultimate in hygiene.

Code No.350020

**Colours:** White only.



Seat section



## Trident

A unique snap-on detachable medium weight seat designed for easy cleaning and the ultimate in hygiene. Fully adjustable pan fittings.

Seat with soft close quick release plastic hinge

Code No.254012W

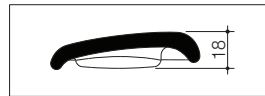
Seat with soft close quick release stainless steel hinge

Code No.254010W

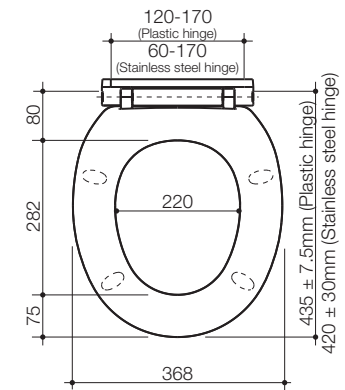
Seat with standard close quick release hinge

Code No.301104W / 301104I

**Colours:** White or Ivory.



Seat section



## Uniseat

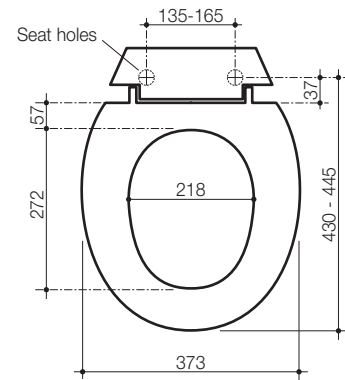
A modern, light weight double flap seat, thermo plastic and fully adjustable pan fittings.

Code No.301111

**Colours:** White or Ivory.



Seat section

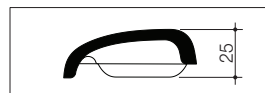


## Urbane Compact

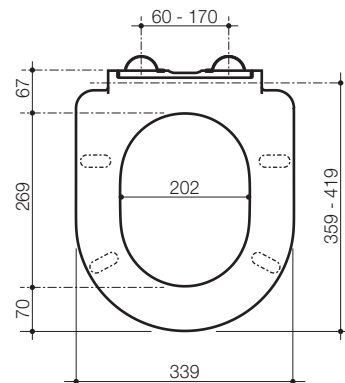
A double flap soft close seat with quick release hinges for easy removal and thorough clean. Made for the Urbane wall hung pan only.

Code No.300047

**Colours:** White only.



Seat section







## Vintage

A premium, double flap solid wooden seat in Natural Jarrah with a clear polymer seal. Available with gold plated or chrome hinges. The recommended seat to be used with the Caroma Vintage toilet suite.

Seat with gold plated hinges Code No.301110  
Seat with chrome plated hinges Code No.301115

**Colours:** Natural Jarrah with gold or chrome plated hinges.



Seat section

